

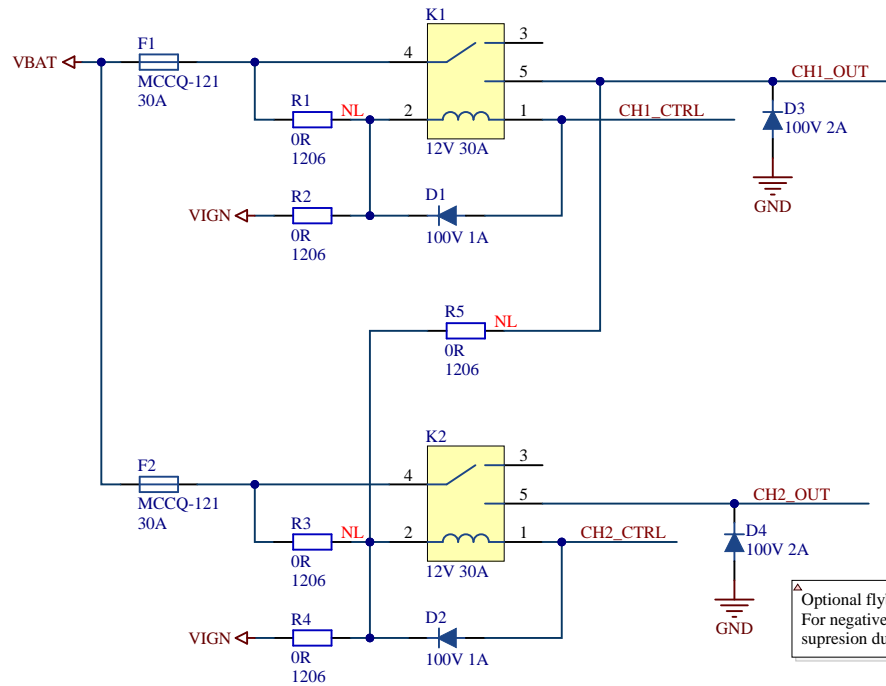
MicroRally

rPDM-1

Revision 1

2 channel 20A relay power stage

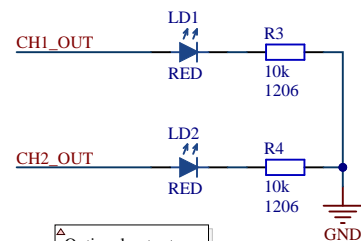
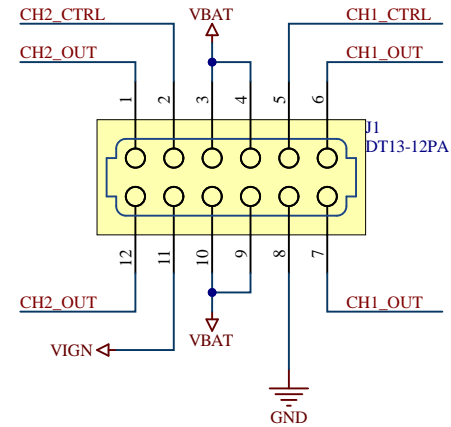
Title: Cover sheet	MicroRally
Project: rPDM-1	Revision: 1
Size: A4	Page 1 of 3
Author: Andis Jargans	Date: 11.04.2021
File name: Title.SchDoc	



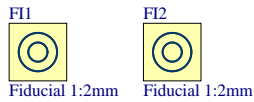
Optional flyback diode. For negative voltage spike suppression during turn-off.

Change CH2 behavior with R1-R2.

R1 - two independent channels
R2 - CH2 can be activated only when CH1 is active



Optional output status indicators.



Title: Inputs and Outputs	MicroRally
Project: rPDM-1	Revision: 1
Size: A4	Page 2 of 3
Author: Andis Jargans	Date: 11.04.2021
File name: Connections.SchDoc	

Revision history

Revision	Date	Fixed issue	Changes
r1	2021-04-11		Initial design.

A

A

B

B

C

C

D

D

Title: Revision History	MicroRally
Project: rPDM-1	Revision: 1
Size: A4	Page 3 of 3
Author: Andis Jargans	Date: 11.04.2021
File name: History.SchDoc	