

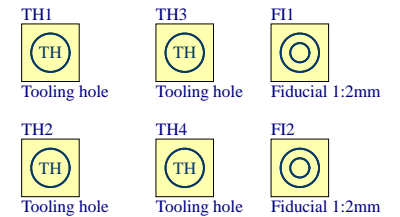
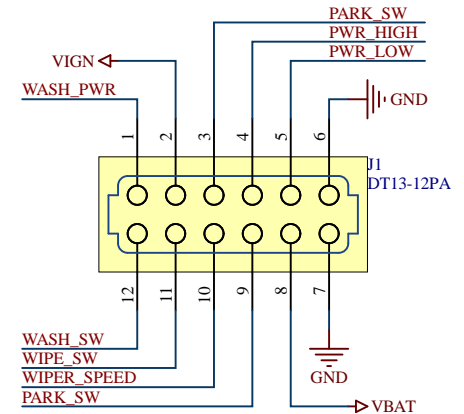
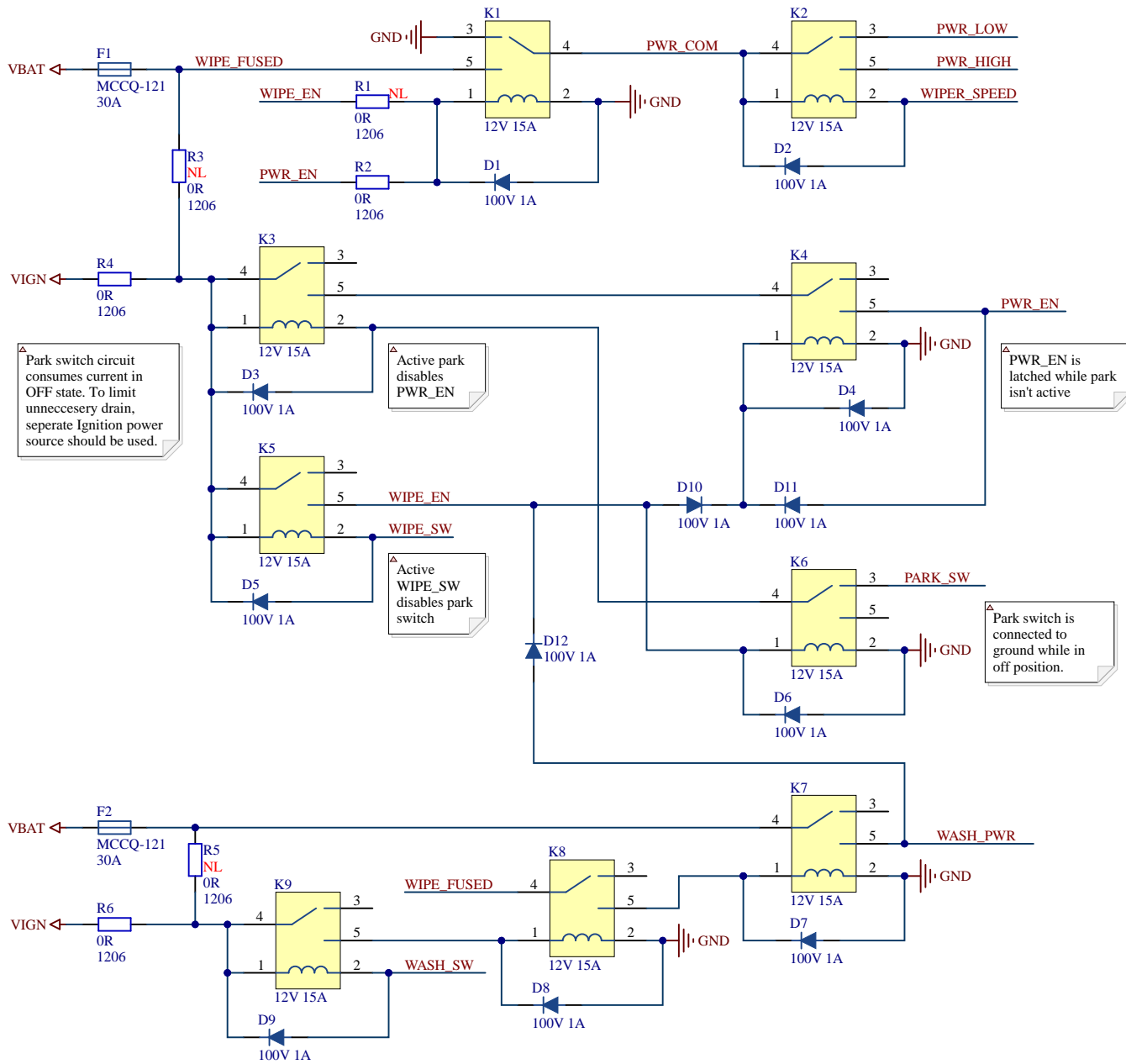
MicroRally

rPDM-2

Revision 1

Relay based, analog wiper and washer control board

Title: Cover sheet	MicroRally
Project: rPDM-2	Revision: 1
Size: A4	Page 1 of 3
Author: Andis Jargans	Date: 07.04.2021
File name: Title.SchDoc	



- H1 A4 Drawing
- H2 2 Layer Stackup
- H3 Gerber Notes
- H4 Code MR
- H5 WEEE
- M1 M3
- M2 M3
- M3 M3
- M4 M3

Title:	Inputs and Outputs	MicroRally
Project:	rPDM-2	Revision: 1
Size:	A4	Page 2 of 3
Author:	Andis Jargans	Date: 07.04.2021
File name:	Connections.SchDoc	

Revision history

Revision	Date	Fixed issue	Changes
r1	2021-03-15		Initial design.
	2021-04-07		Added JLCPCB Assembly tooling holes.

Title: Revision History	MicroRally
Project: rPDM-2	Revision: 1
Size: A4	Page 3 of 3
Author: Andis Jargans	Date: 07.04.2021
File name: History.SchDoc	