

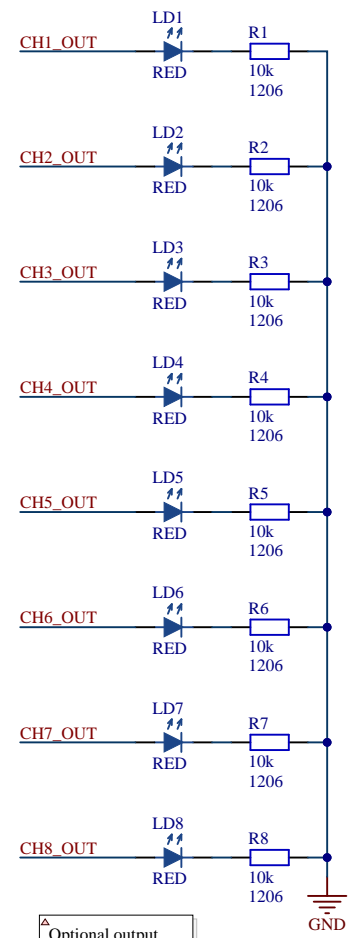
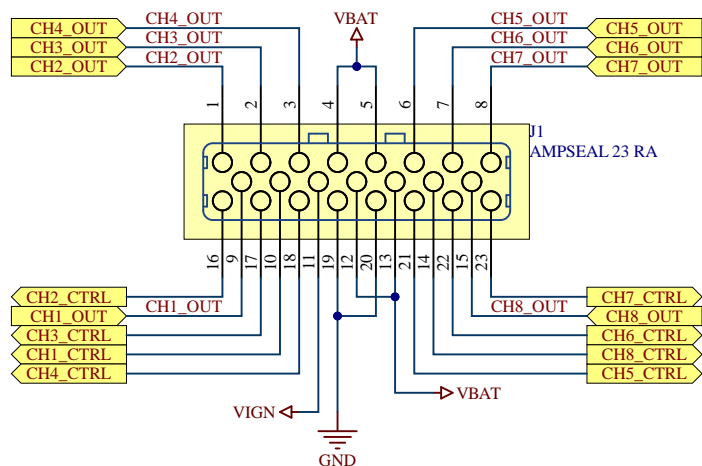
# MicroRally

## rPDM-4

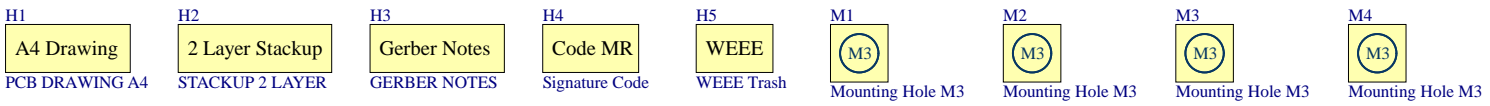
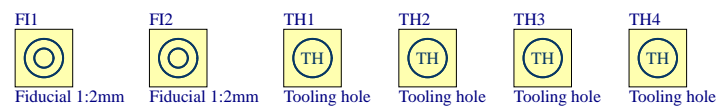
Revision 1

8x 3.5A channel relay power stage

Title: Cover sheet	MicroRally
Project: rPDM-4	Revision: 1
Size: A4	Page 1 of 4
Author: Andis Jargans	Date: 11.04.2021
File name: Title.SchDoc	

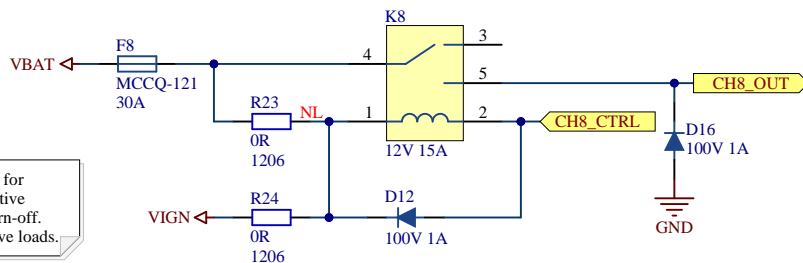
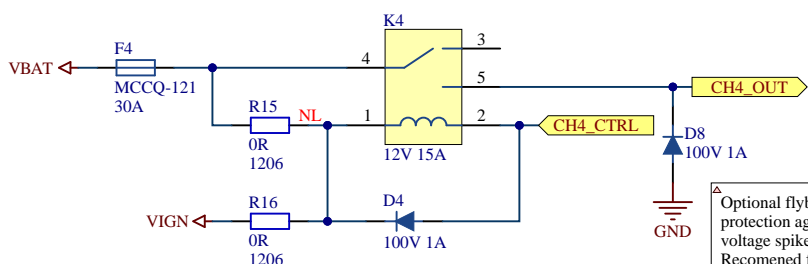
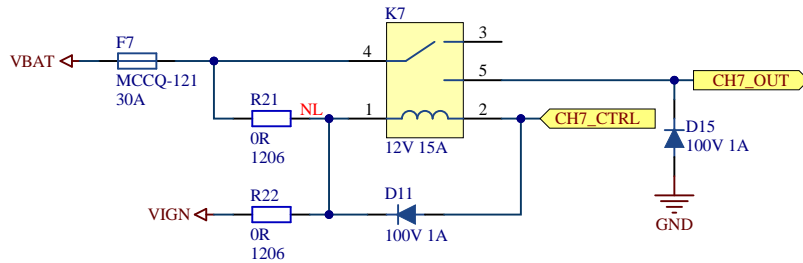
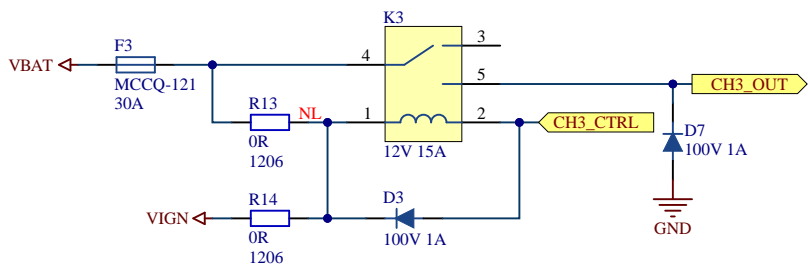
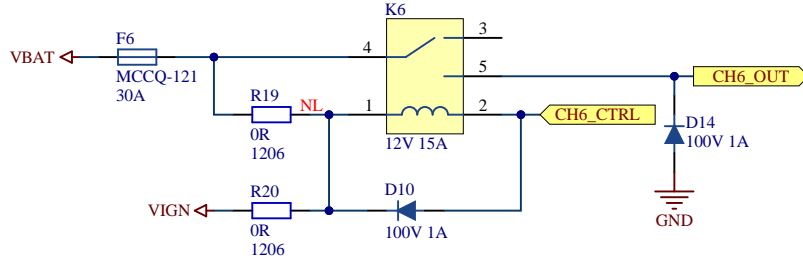
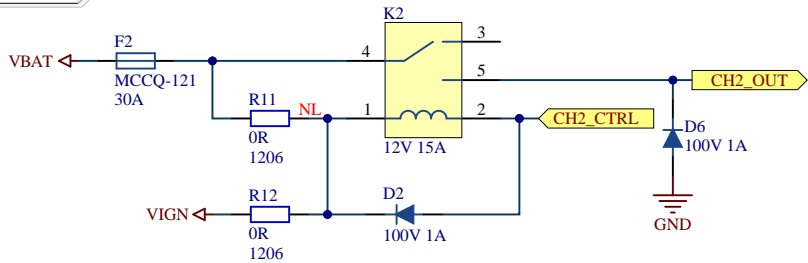
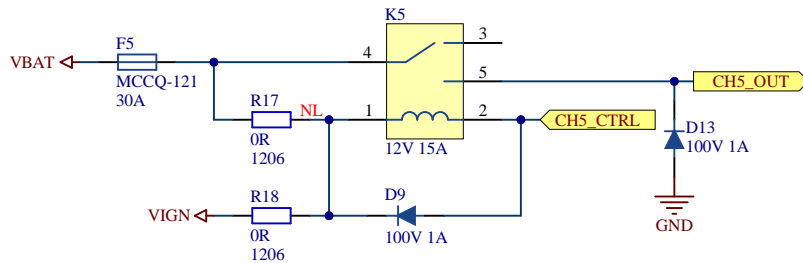
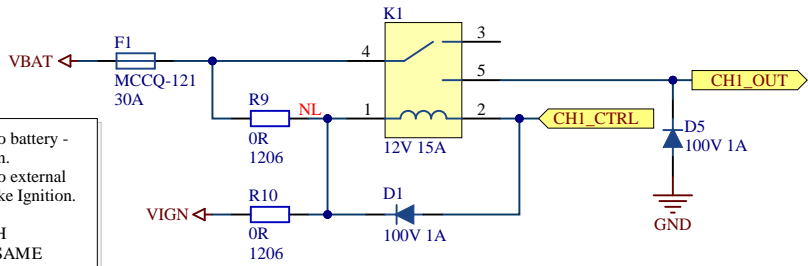


Optional output status indicators.



Title: User Inputs and Outputs	MicroRally
Project: rPDM-4	Revision: 1
Size: A4	Page 2 of 4
Author: Andis Jargans	Date: 11.04.2021
File name: User_IO.SchDoc	

⚠ Load R5 to bind CH1 to battery - can always be turned on.  
 Load R6 to bind CH1 to external master enable signal, like Ignition.  
 DO NOT LOAD BOTH RESISTORS AT THE SAME TIME !



⚠ Optional flyback diode for protection against negative voltage spike during turn-off. Recommended for inductive loads.

Title: Connections	MicroRally
Project: rPDM-4	Revision: 1
Size: A4	Page 3 of 4
Author: Andis Jargans	Date: 11.04.2021
File name: Connections.SchDoc	

### Revision history

Revision	Date	Fixed issue	Changes
r1	2021-04-11		Initial design.

A

A

B

B

C

C

D

D

Title: Revision History	MicroRally
Project: rPDM-4	Revision: 1
Size: A4	Page 4 of 4
Author: Andis Jargans	Date: 11.04.2021
File name: History.SchDoc	