

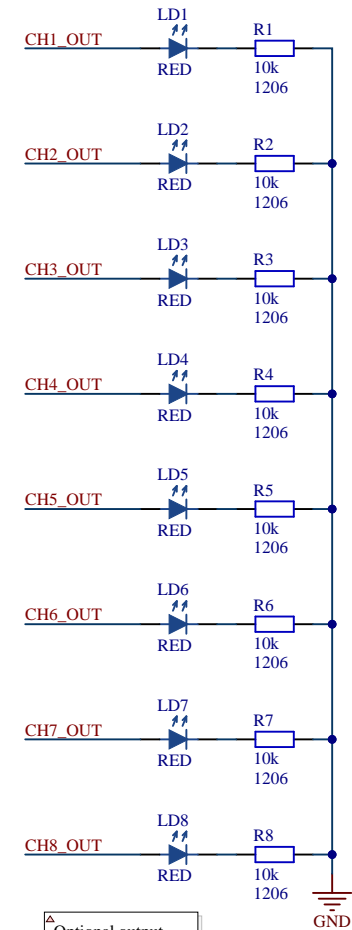
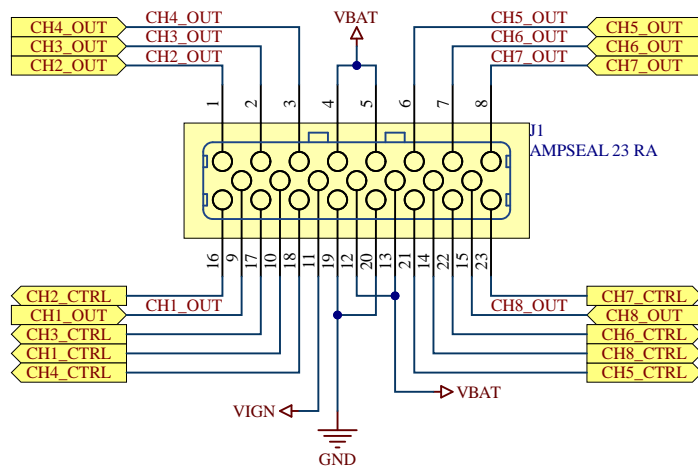
MicroRally

rPDM-6

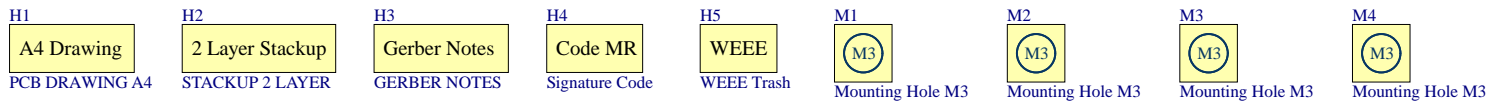
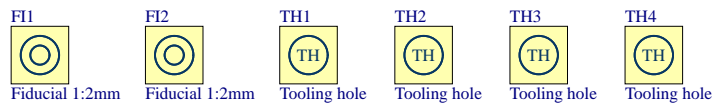
Revision 1

8x 3.5A channel relay power stage, witch active high control

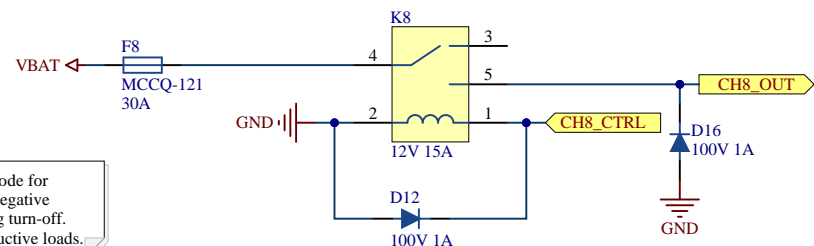
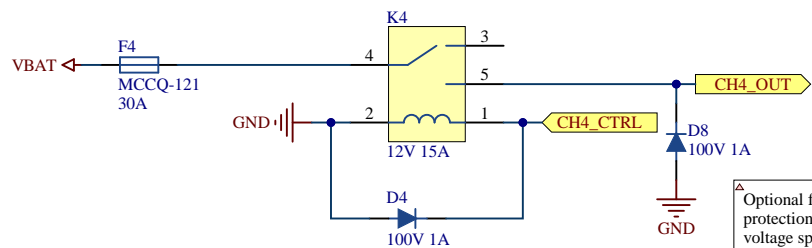
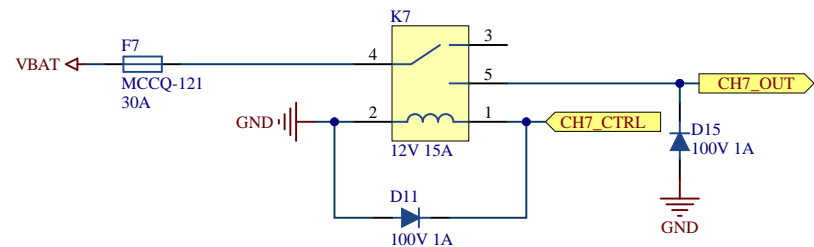
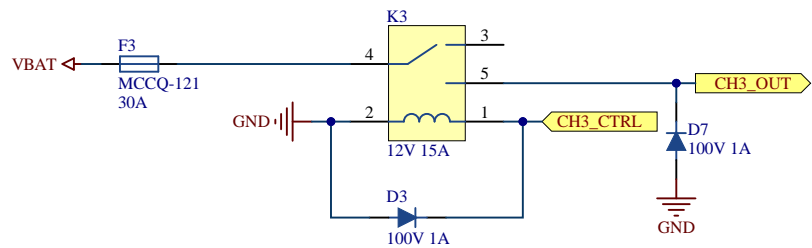
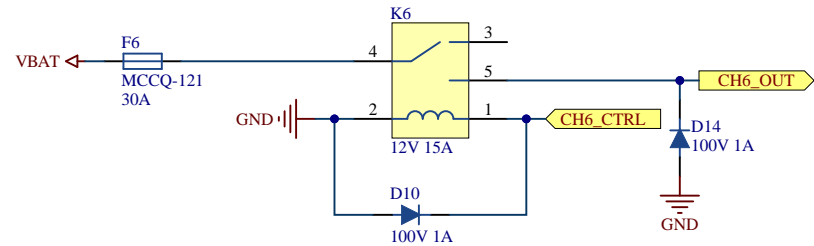
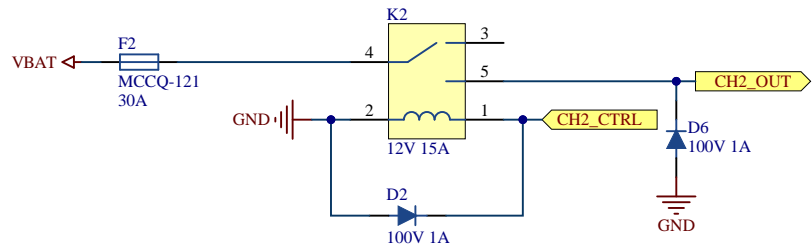
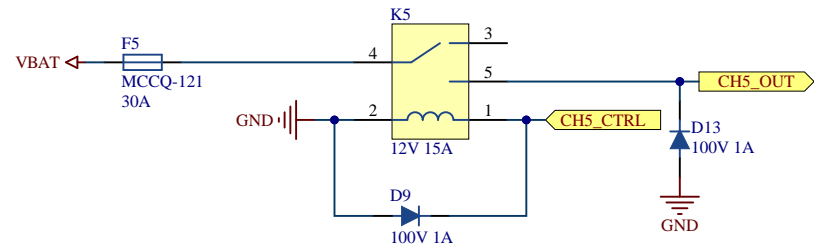
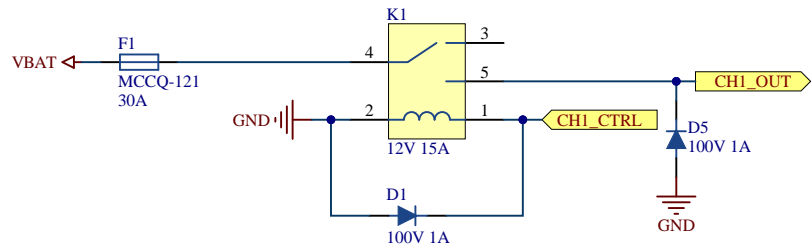
| | |
|-------------------------|------------------|
| Title: Cover sheet | MicroRally |
| Project: rPDM-6 | Revision: 1 |
| Size: A4 | Page 1 of 4 |
| Author: Andis Jargans | Date: 14.04.2021 |
| File name: Title.SchDoc | |



Optional output status indicators.



| | |
|--------------------------------|------------------|
| Title: User Inputs and Outputs | MicroRally |
| Project: rPDM-6 | Revision: 1 |
| Size: A4 | Page 2 of 4 |
| Author: Andis Jargans | Date: 14.04.2021 |
| File name: User_IO.SchDoc | |



Optional flyback diode for protection against negative voltage spike during turn-off. Recommended for inductive loads.

| | |
|-------------------------------|------------------|
| Title: Connections | MicroRally |
| Project: rPDM-6 | Revision: 1 |
| Size: A4 | Page 3 of 4 |
| Author: Andis Jargans | Date: 14.04.2021 |
| File name: Connections.SchDoc | |

Revision history

| Revision | Date | Fixed issue | Changes |
|----------|------------|-------------|-----------------|
| r1 | 2021-04-14 | | Initial design. |

A

A

B

B

C

C

D

D

| | |
|---------------------------|------------------|
| Title: Revision History | MicroRally |
| Project: rPDM-6 | Revision: 1 |
| Size: A4 | Page 4 of 4 |
| Author: Andis Jargans | Date: 14.04.2021 |
| File name: History.SchDoc | |