

MicroRally

LED Interface

6 LED DCCD interface board

PCB Revision R1

Title: Cover page				MicroRally
Project: LED Interface				
PCB: R1	BOM: V1	Sheet 1 of 5	Size: A4	Engineer: Andis Zile
File: Cover_page.SchDoc				Date: 02.06.2023

Index

Page	Title
1	Cover page
2	Index
3	Connections
4	Miscellaneous
5	Revision History

A

A

B

B

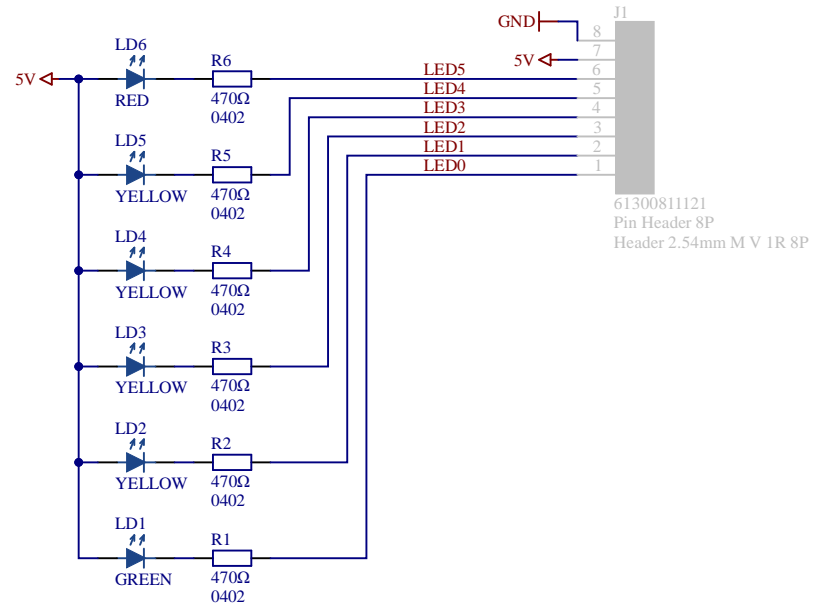
C

C

D

D

Title: Index				MicroRally
Project: LED Interface				
PCB: R1	BOM: V1	Sheet 2 of 5	Size: A4	Engineer: Andis Zile
File: Index.SchDoc				Date: 02.06.2023



Title: Main connector				MicroRally
Project: LED Interface				
PCB: R1	BOM: V1	Sheet 3 of 5	Size: A4	Engineer: Andis Zile
File: Connections.SchDoc				Date: 02.06.2023

PCB Sheet

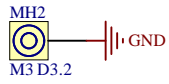
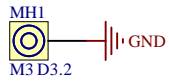
2 Layer Stackup

WEEE

H1

H2

H3



Title: Miscellaneous				MicroRally
Project: LED Interface				
PCB: R1	BOM: V1	Sheet 4 of 5	Size: A4	Engineer: Andis Zile
File: Miscellaneous.SchDoc				Date: 02.06.2023

Revision history

PCB	BOM	Date	Fixed issue	Changes
R1	V1	2023-06-02		Initial design.

Title: Revision history				MicroRally
Project: LED Interface				
PCB: R1	BOM: V1	Sheet 5 of 5	Size: A4	Engineer: Andis Zile
File: History.SchDoc				Date: 02.06.2023

A

A

B

B

C

C

D

D