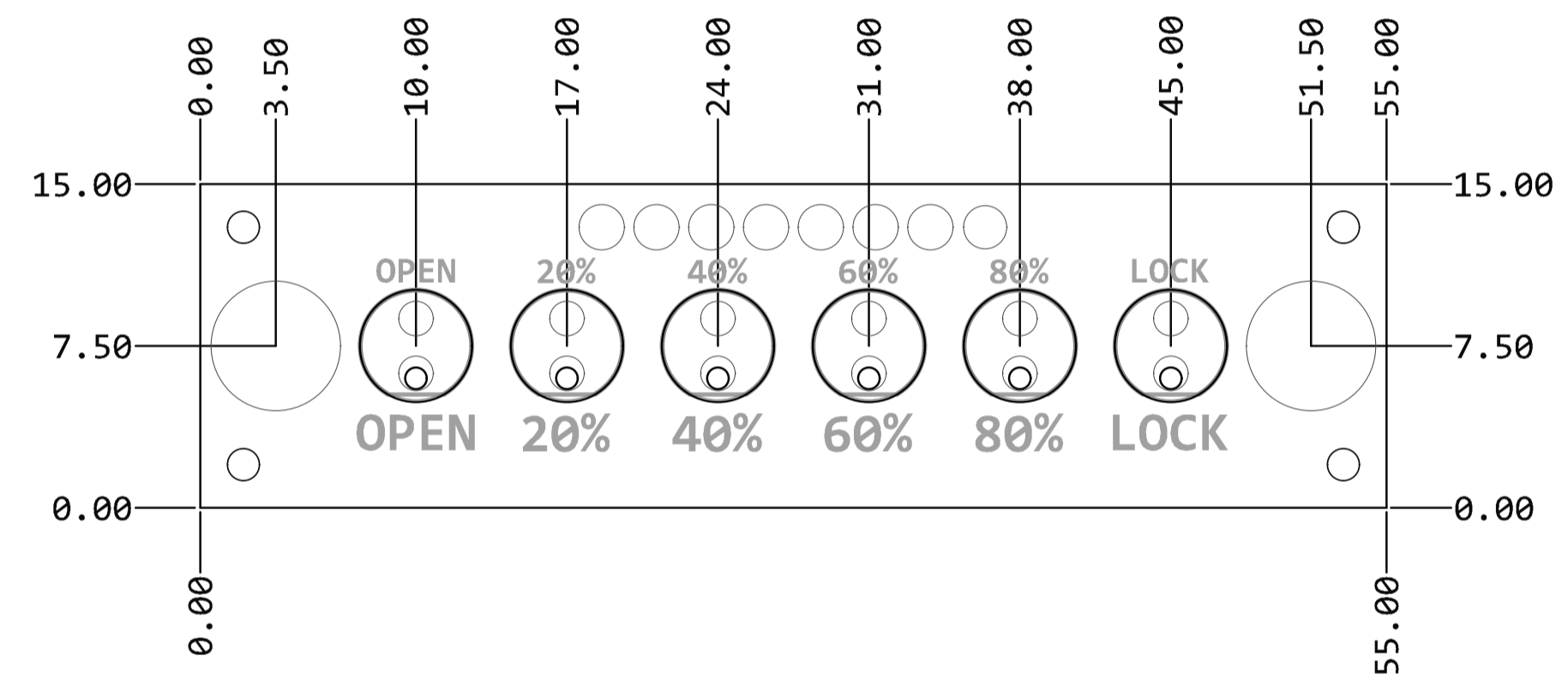
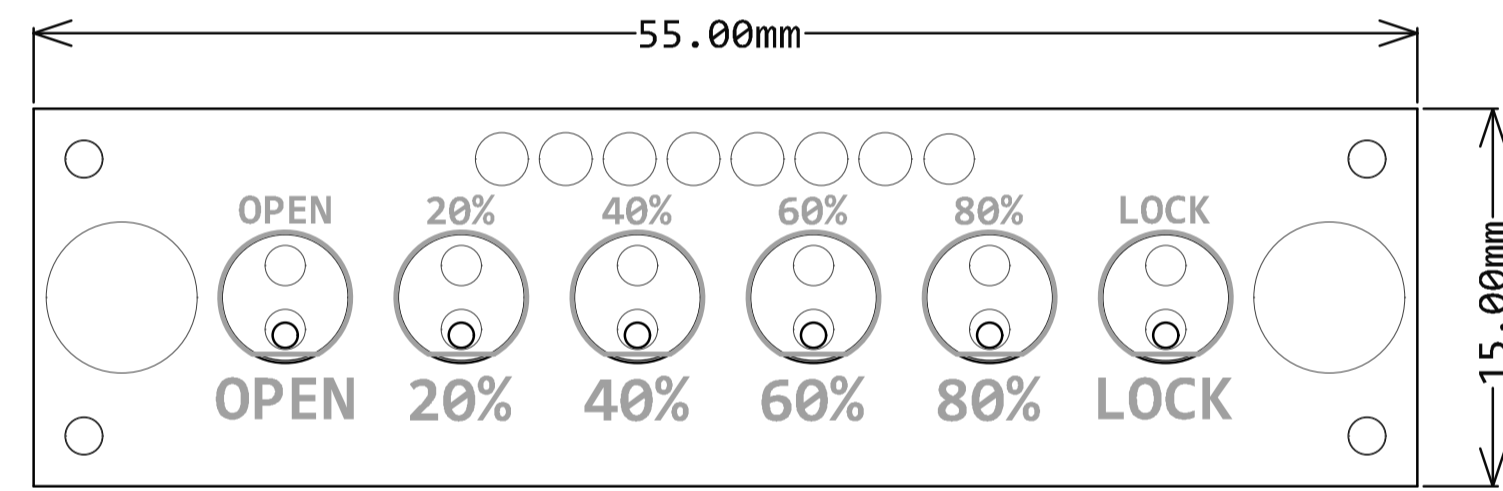


# DESIGN NOTES



Title: PCB Drawing			<b>MicroRally</b>
Project: LED Interface			
Revision: R1	Size: A4	Scale: 1:1	Engineer: Andis Zile
File: LED_board.PcbDoc			Date: 02.06.2023

# ASSEMBLY NOTES



Title: PCB Drawing			<b>MicroRally</b>
Project: LED Interface			
Revision: R1	Size: A4	Scale: 1:1	Engineer: Andis Zile
File: LED_board.PcbDoc			Date: 02.06.2023

1

2

3

4

A

A

B

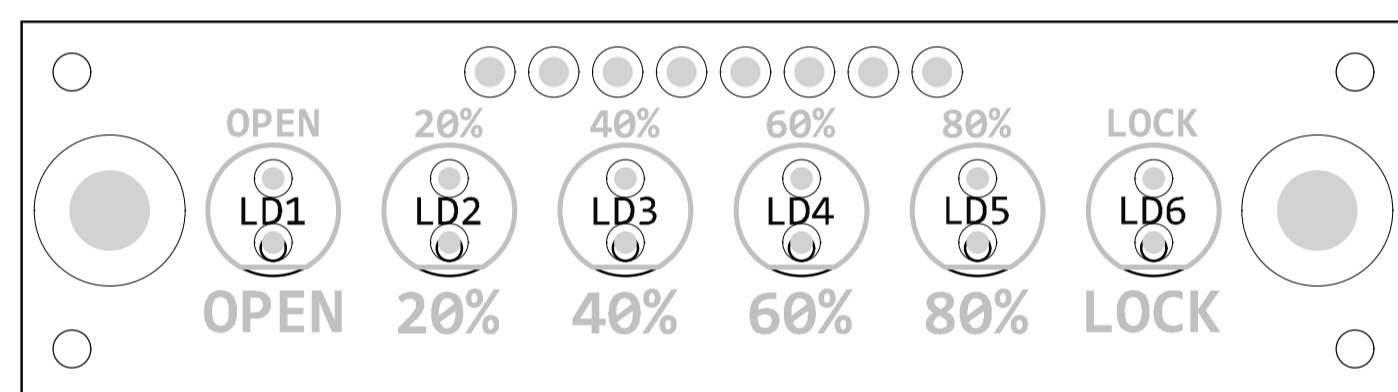
B

C

C

D

D



Title: PCB Drawing			<b>MicroRally</b>
Project: LED Interface			
Revision: R1	Size: A4	Scale: 1:1	Engineer: Andis Zile
File: LED_board.PcbDoc			Date: 02.06.2023

1

2

3

4

4

3

2

1

A

A

B

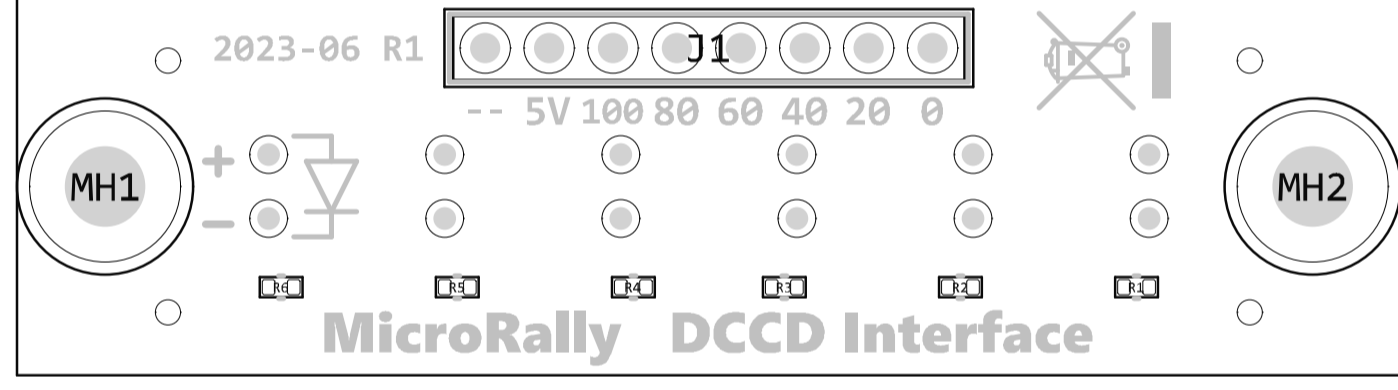
B

C

C

D

D



File:LED_board.pcbDoc		Date: 02.06.2023	
Revision: R1	Size: A4	Scale: 1:1	Engineer: Andis Zile
Project: LED Interface		Title: PCB Drawing	
<b>MicroRally</b>			

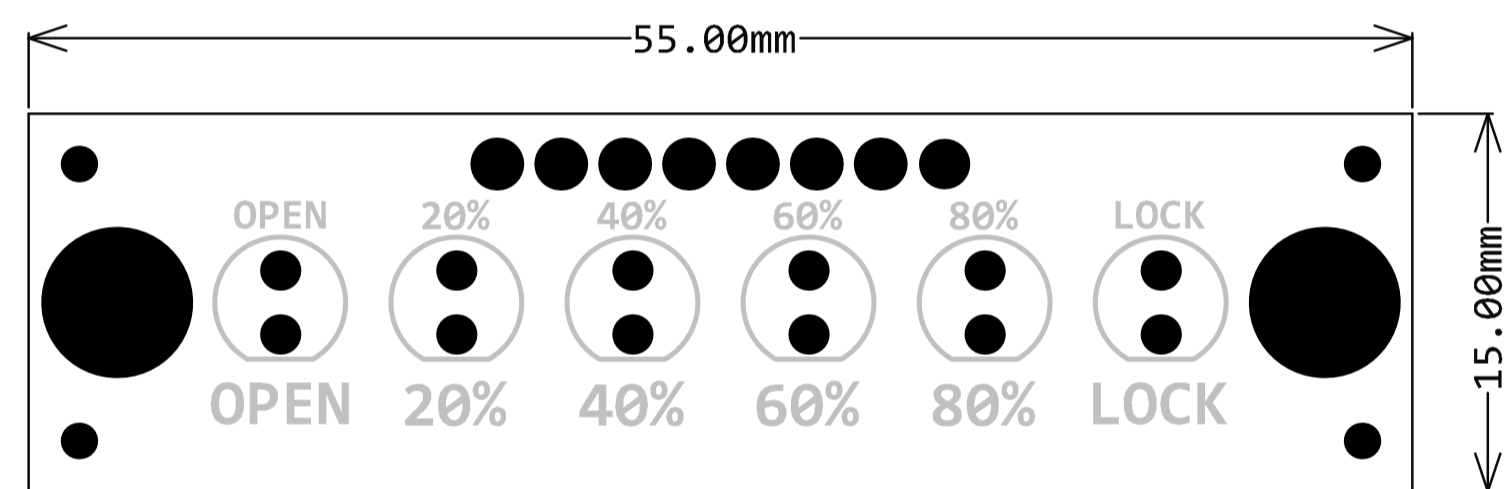
4

3

2

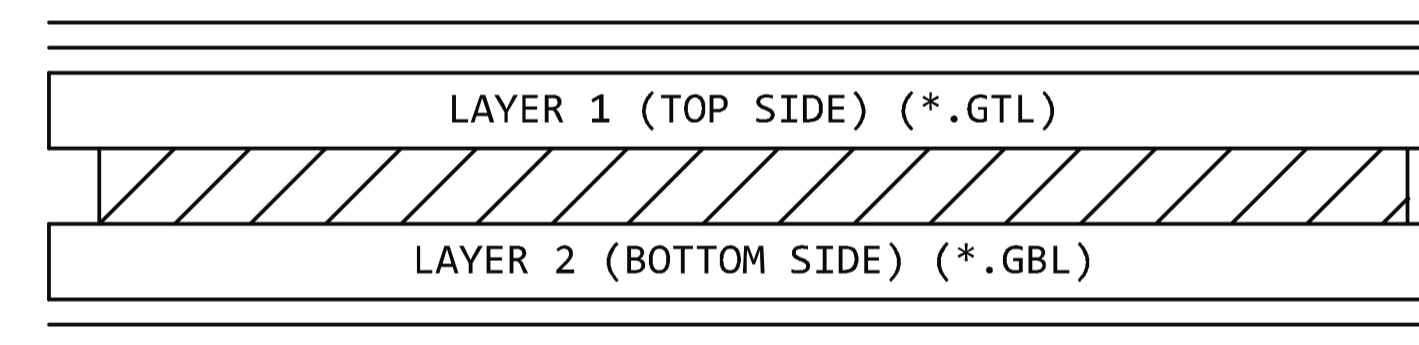
1

# GERBER NOTES



Symbol	Count	Hole Size	Plated	Hole Type	Via/Pad
☆	12	0.90mm	PTH	Round	Pad
✕	8	1.20mm	PTH	Round	Pad
○	4	1.15mm	NPTH	Round	Pad
□	2	3.20mm	PTH	Round	Pad
	26 Total				

1.0 OZ L1  
 1.50 mm Core - FR4  
 1.0 OZ L2



SILKSCREEN (TOP SIDE) (\*.GTO)  
 SOLDERMASK (TOP SIDE) (\*.GTS)  
 1.6 mm +/- 10% LAYER DETAIL  
 2 LAYERS  
 SOLDERMASK (BOTTOM SIDE) (\*.GBS)  
 SILKSCREEN (BOTTOM SIDE) (\*.GBO)  
 PASTE (BOTTOM SIDE) (\*.GBP)

Title: PCB Drawing			<b>MicroRally</b>
Project: LED Interface			
Revision: R1	Size: A4	Scale: 1:1	Engineer: Andis Zile
File: LED_board.PcbDoc			Date: 02.06.2023

1

2

3

4

A

A

B

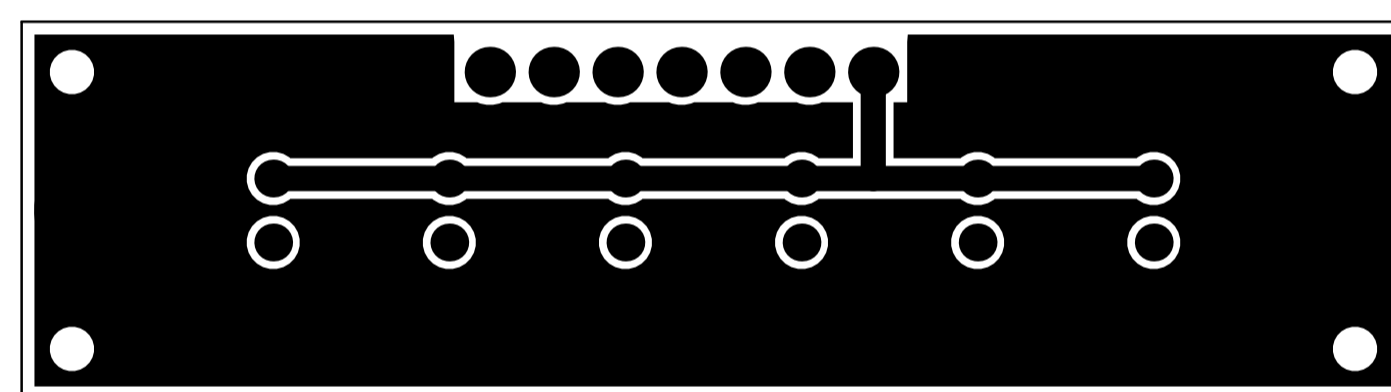
B

C

C

D

D



Title: PCB Drawing			<b>MicroRally</b>
Project: LED Interface			
Revision: R1	Size: A4	Scale: 1:1	Engineer: Andis Zile
File: LED_board.PcbDoc			Date: 02.06.2023

1

2

3

4

1

2

3

4

A

A

B

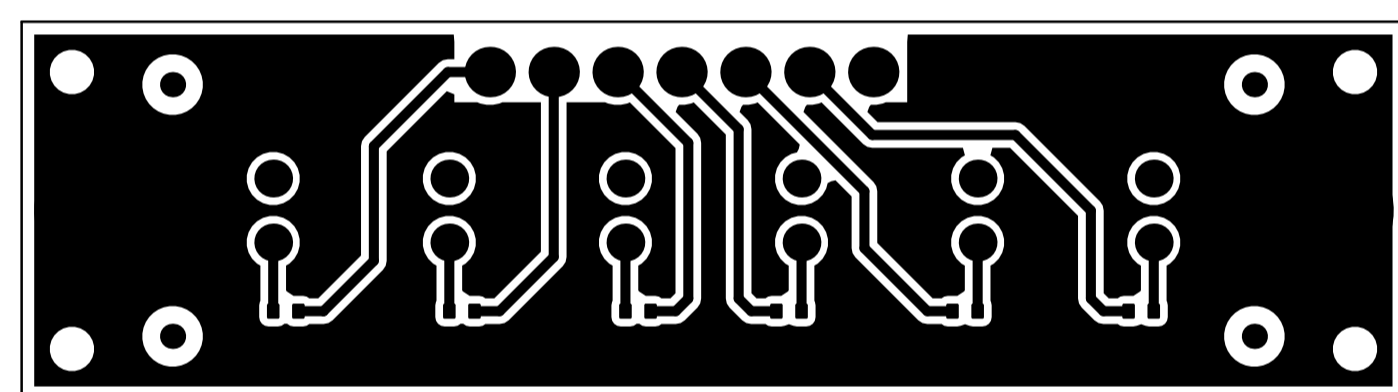
B

C

C

D

D



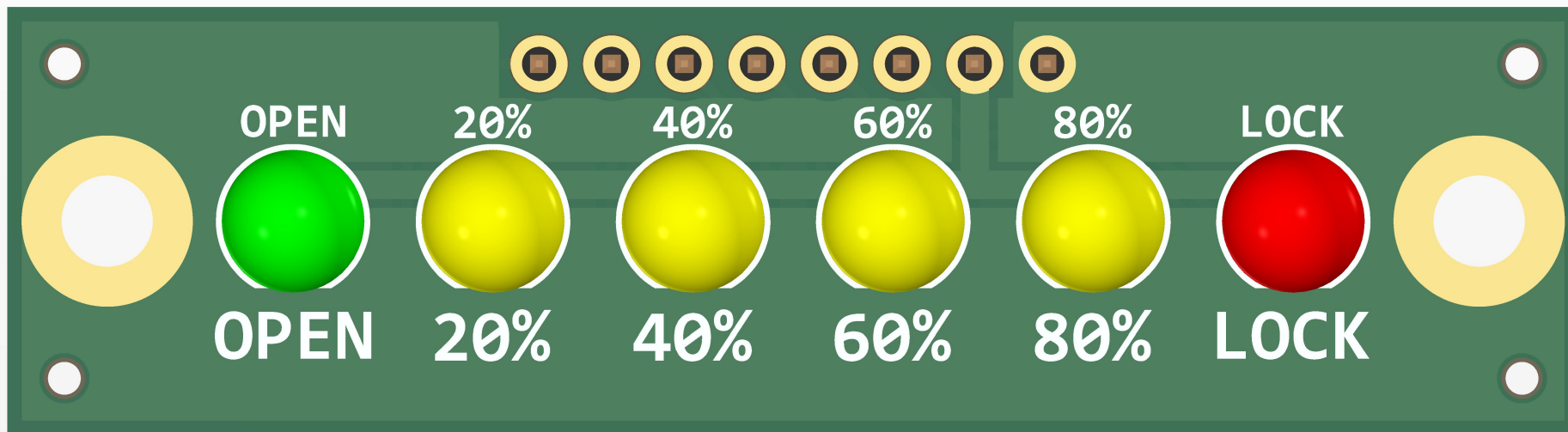
Title: PCB Drawing			<b>MicroRally</b>
Project: LED Interface			
Revision: R1	Size: A4	Scale: 1:1	Engineer: Andis Zile
File: LED_board.PcbDoc			Date: 02.06.2023

1

2

3

4



OPEN

20%

40%

60%

80%

LOCK

OPEN

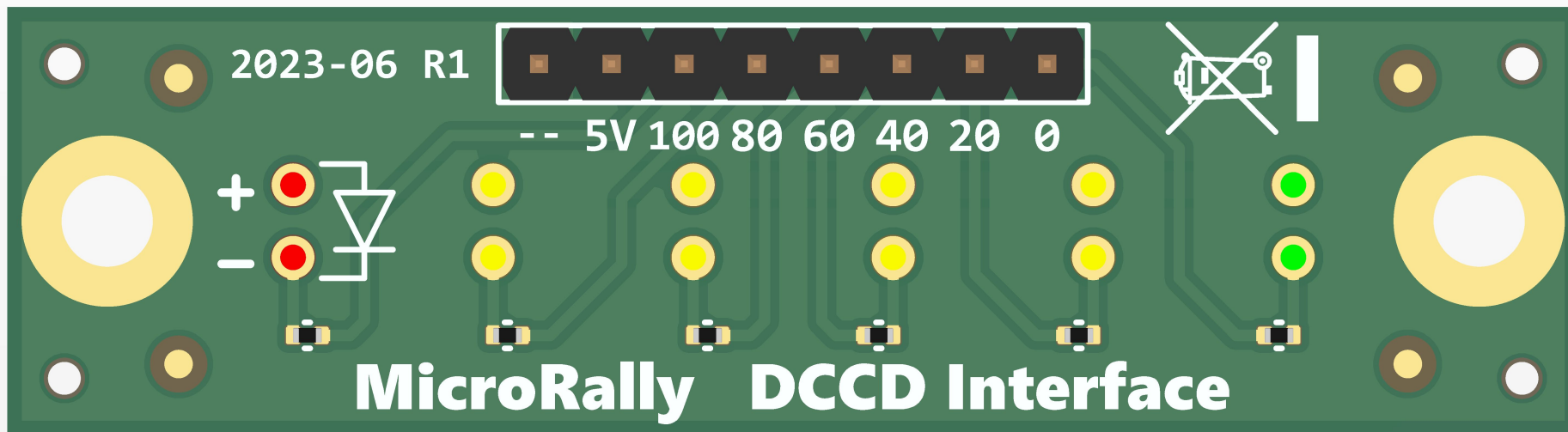
20%

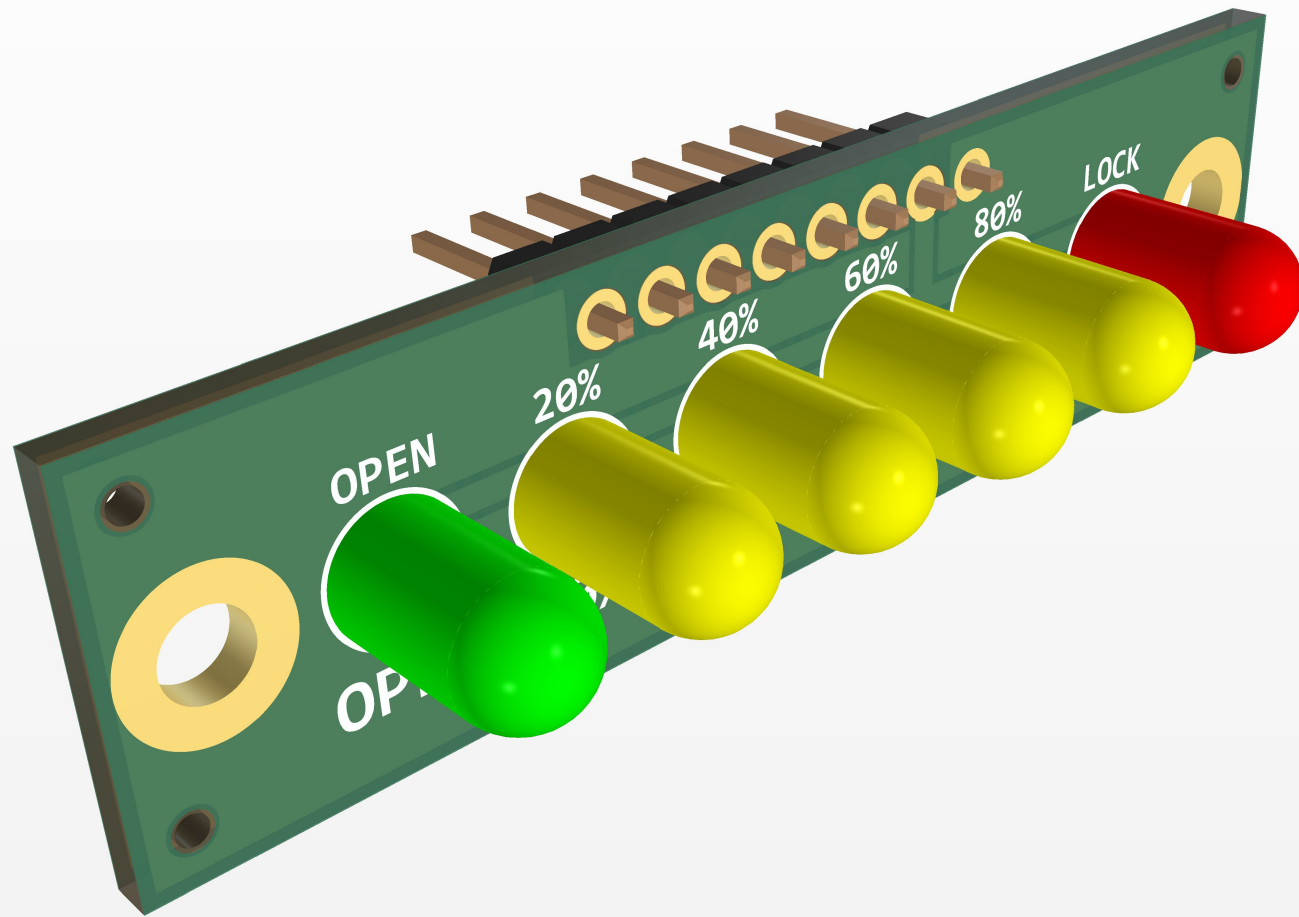
40%

60%

80%

LOCK





OPEN

20%

40%

60%

80%

LOCK

OP

