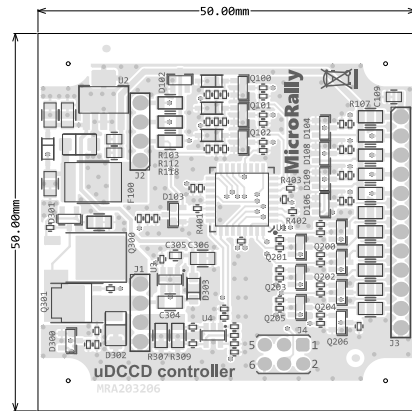
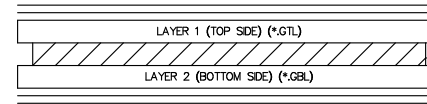


GERBER NOTES

Symbol	Count	Hole Size	Plated	Hole Type	Via/Pad
⚙	285	0.300mm (11.81mil)	PTH	Round	Via
▽	6	1.000mm (39.37mil)	PTH	Round	Pad
□	20	1.150mm (45.28mil)	PTH	Round	Pad
○	4	3.200mm (125.98mil)	NPTH	Round	Pad
	315 Total				



1.0 OZ L1
 1.50 mm Core - FR4
 1.0 OZ L2

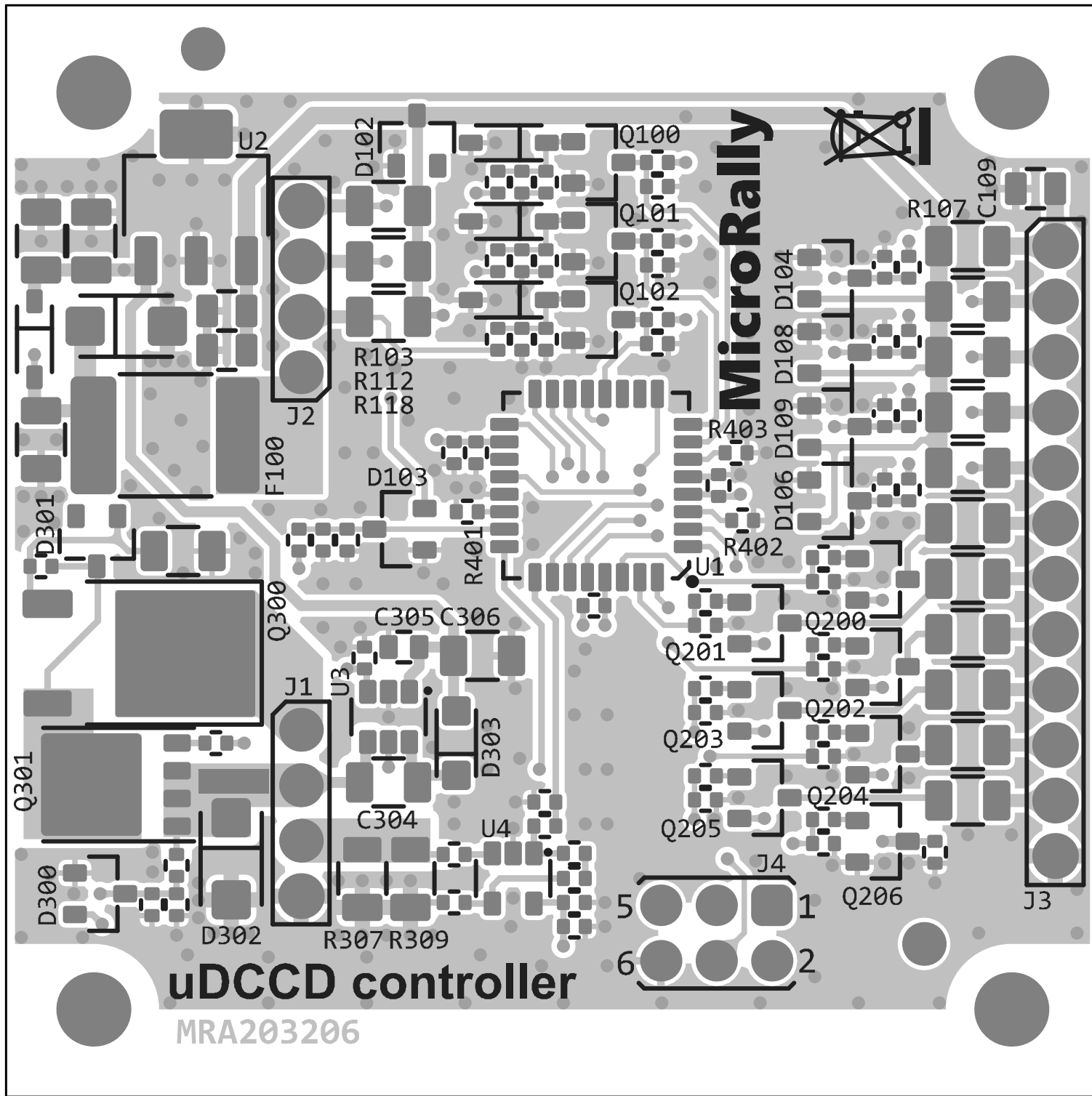


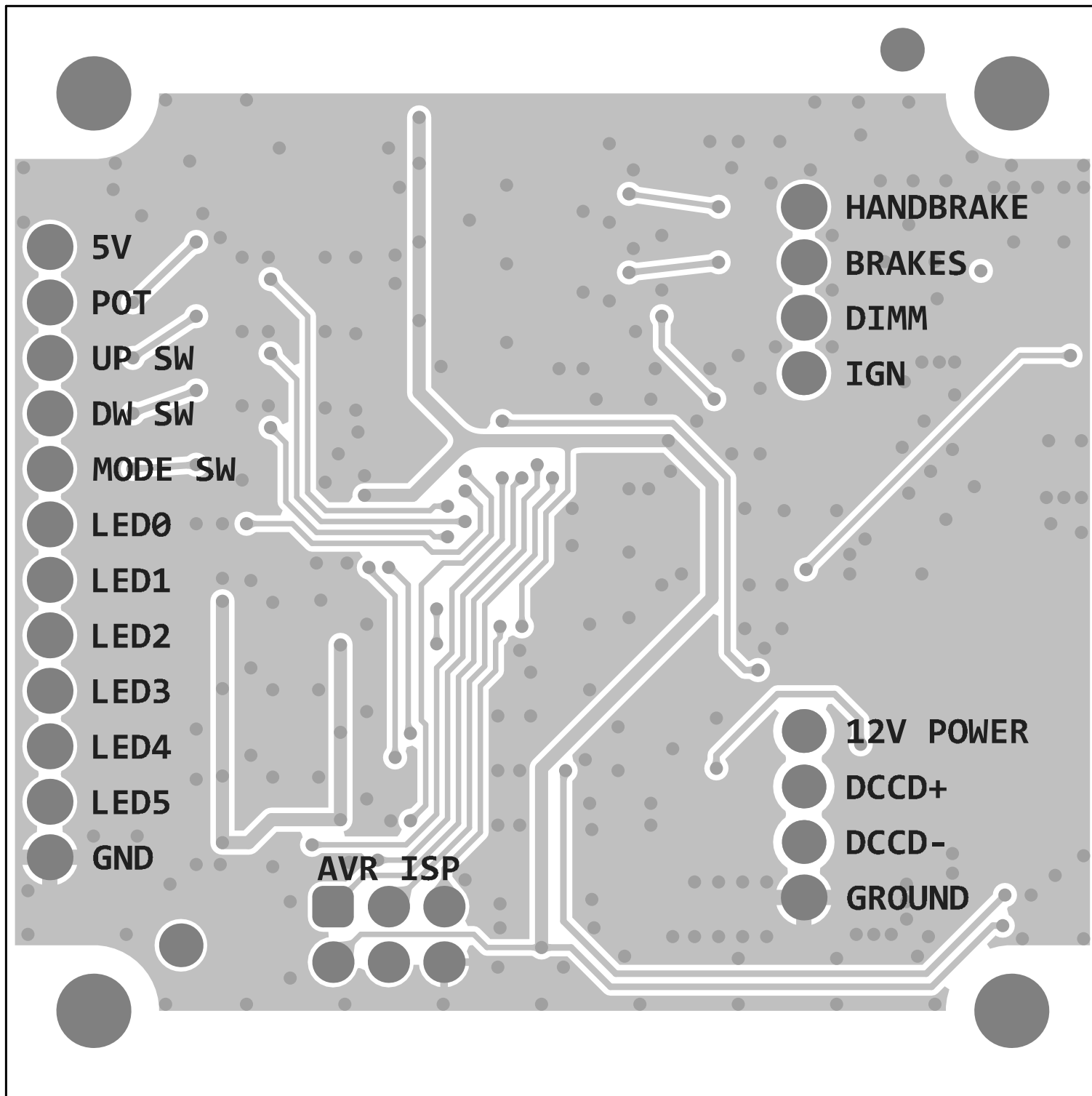
PASTE (TOP SIDE) (*GTP)
 SILKSCREEN (TOP SIDE) (*GTO)
 SOLDERMASK (TOP SIDE) (*GTS)
 1.6 mm +/- 10% LAYER DETAIL
 2 LAYERS
 SOLDERMASK (BOTTOM SIDE) (*GBS)
 SILKSCREEN (BOTTOM SIDE) (*GBO)

NOTES: (UNLESS OTHERWISE SPECIFIED)

- THIS IS 2 LAYER BOARD
- MATERIAL: FR4, TG 150 DEGREE C MIN
- FR4 DIELECTRIC CONSTANT 4.2 @ 1GHZ
- FINISHED BOARD THICKNESS TO BE 1.60MM +/- 10%
- TRACE WIDTHS IN ARTWORK ARE FINISHED SIZES
- SEE FILM FOR LAYER SEQUENCE AND COPPER THICKNESSES (SHOWN BEFORE PLATING)
- MIN TRACE/SPACE 0.25/0.20MM
- SEE DRILL CHART FOR FINISHED HOLE SIZES
- MIN DRILL 0.30MM
- HOLE TOLERANCE IS +/-3MIL UNLESS OTHERWISE SPECIFIED
 HOLE COPPER THICKNESS MIN 0.7MIL
 SLOT TOLERANCE +/-0.1MM
 BORDER OUTLINE TOLERANCE +/-0.15MM
- SURFACE PLATING: HASL, Pb FREE
- SOLDERMASK: LPT, BOTH SIDES. COLOR GREEN
- SILKSCREEN: TOP AND BOTTOM SIDE. COLOR WHITE
- ALL BOARDS MUST BE ELECTRICALLY TESTED FOR ISOLATION (SHORTS) AND CONTINUITY (OPENS)

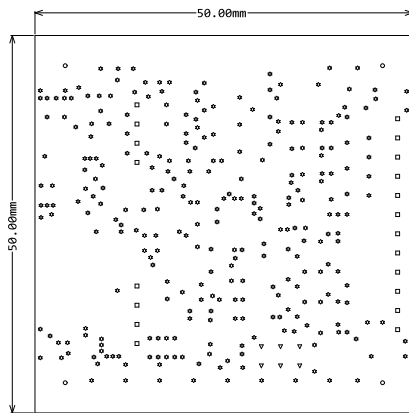
Project: uDCCD Controller	
Author: Andis Jargans	Revision: 6
Date: 05/08/2020	Size: A4
File: uDCCD_controller_r6.PcbDoc	MicroRally



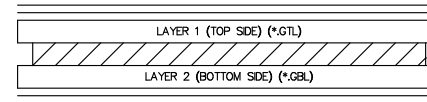


GERBER NOTES

Symbol	Count	Hole Size	Plated	Hole Type	Via/Pad
⚙	285	0.300mm (11.81mil)	PTH	Round	Via
▽	6	1.000mm (39.37mil)	PTH	Round	Pad
□	20	1.150mm (45.28mil)	PTH	Round	Pad
○	4	3.200mm (125.98mil)	NPTH	Round	Pad
	315 Total				



1.0 OZ L1
 1.50 mm Core - FR4
 1.0 OZ L2

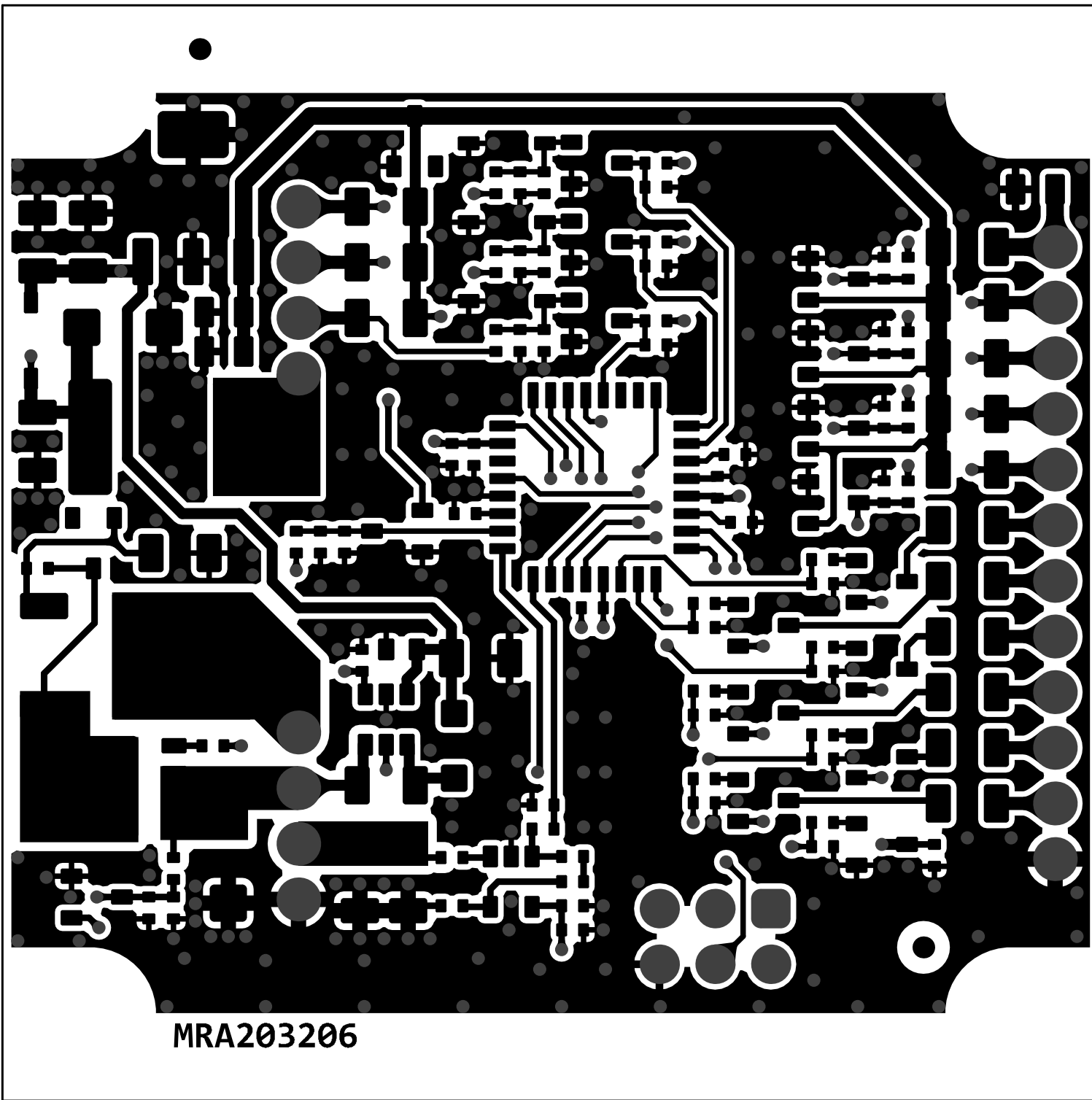


↑ PASTE (TOP SIDE) (*GTP)
 SILKSCREEN (TOP SIDE) (*GTO)
 SOLDERMASK (TOP SIDE) (*GTS)
 1.6 mm +/- 10% LAYER DETAIL
 2 LAYERS
 ↓ SOLDERMASK (BOTTOM SIDE) (*GBS)
 SILKSCREEN (BOTTOM SIDE) (*GBO)

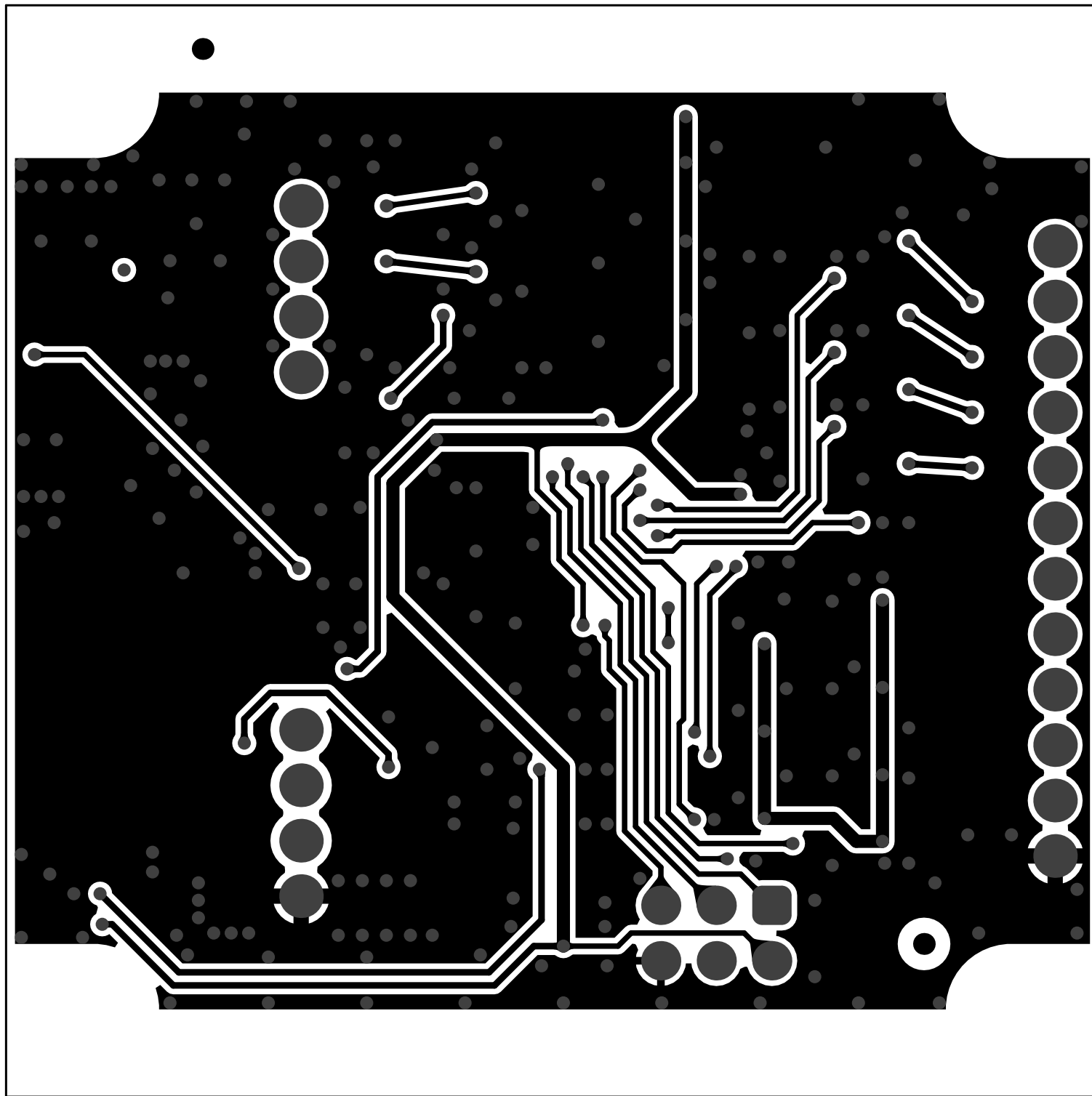
NOTES: (UNLESS OTHERWISE SPECIFIED)

- THIS IS 2 LAYER BOARD
- MATERIAL: FR4, TG 150 DEGREE C MIN
- FR4 DIELECTRIC CONSTANT 4.2 @ 1GHZ
- FINISHED BOARD THICKNESS TO BE 1.60MM +/- 10%
- TRACE WIDTHS IN ARTWORK ARE FINISHED SIZES
- SEE FILM FOR LAYER SEQUENCE AND COPPER THICKNESSES (SHOWN BEFORE PLATING)
- MIN TRACE/SPACE 0.25/0.20MM
- SEE DRILL CHART FOR FINISHED HOLE SIZES
- MIN DRILL 0.30MM
- HOLE TOLERANCE IS +/-3MIL UNLESS OTHERWISE SPECIFIED
 HOLE COPPER THICKNESS MIN 0.7MIL
 SLOT TOLERANCE +/-0.1MM
 BORDER OUTLINE TOLERANCE +/-0.15MM
- SURFACE PLATING: HASL, Pb FREE
- SOLDERMASK: LPT, BOTH SIDES. COLOR GREEN
- SILKSCREEN: TOP AND BOTTOM SIDE. COLOR WHITE
- ALL BOARDS MUST BE ELECTRICALLY TESTED FOR ISOLATION (SHORTS) AND CONTINUITY (OPENS)

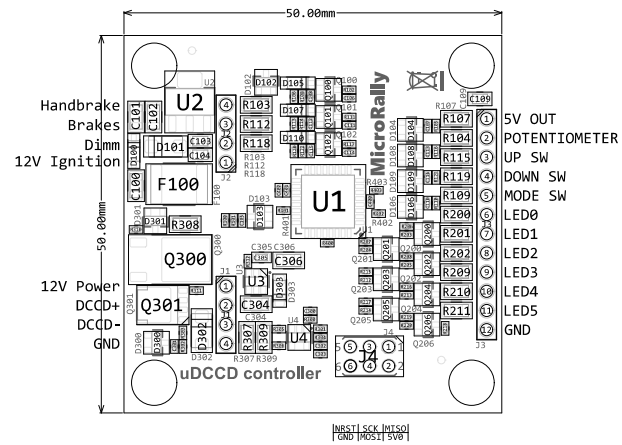
Project: uDCCD Controller	
Author: Andis Jargans	Revision: 6
Date: 05/08/2020	Size: A4
File: uDCCD_controller_r6.PcbDoc	MicroRally



MRA203206



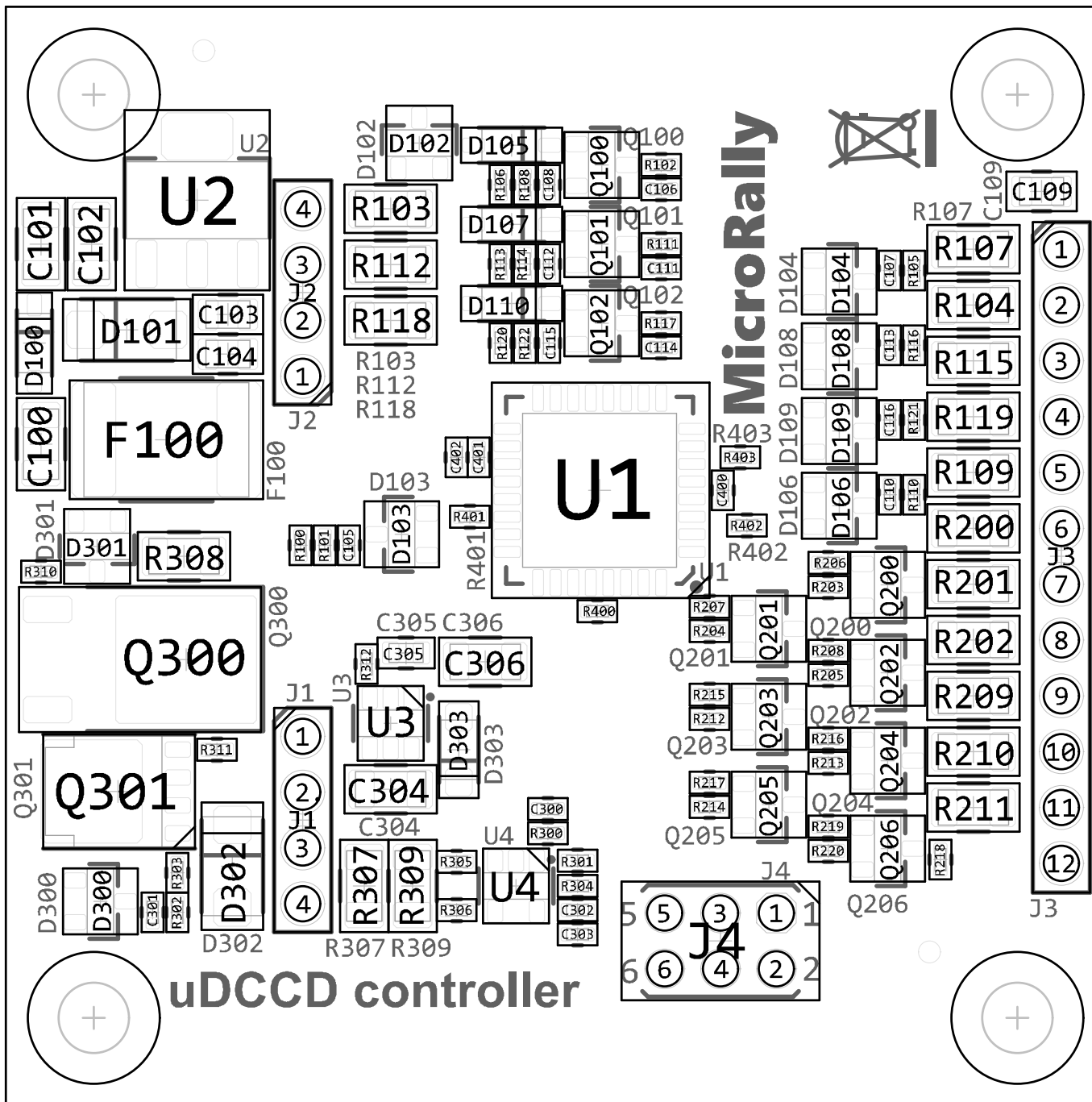
ASSEMBLY NOTES



Project: uDCCD Controller	
Author: Andis Jargans	Revision: 6
Date: 05/08/2020	Size: A4
File: uDCCD_controller_r6.PcbDoc	MicroRally

Handbrake
Brakes
Dimm
12V Ignition

12V Power
DCCD+
DCCD-
GND

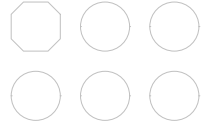


① 5V OUT
② POTENTIOMETER
③ UP SW
④ DOWN SW
⑤ MODE SW
⑥ LED0
⑦ LED1
⑧ LED2
⑨ LED3
⑩ LED4
⑪ LED5
⑫ GND

NRST	SCK	MISO
GND	MOSI	5V0

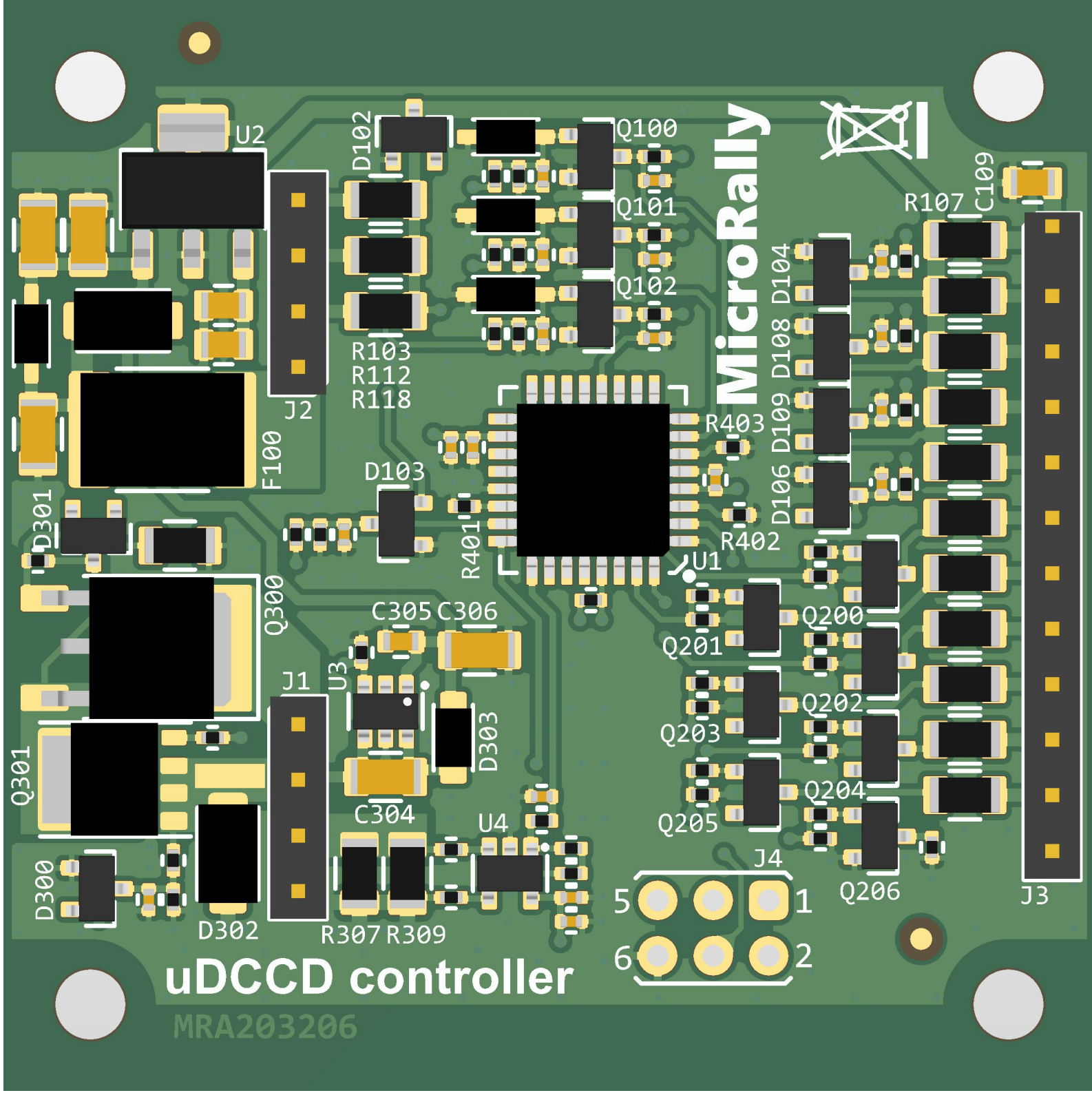
- 5V
- POT
- UP SW
- DW SW
- MODE SW
- LED0
- LED1
- LED2
- LED3
- LED4
- LED5
- GND

AVR ISP



- HANDBRAKE
- BRAKES
- DIMM
- IGN

- 12V POWER
- DCCD+
- DCCD-
- GROUND



uDCCD controller

MRA203206

- 5
- 6
- 1
- 2

MicroRally



- 5V
- POT
- UP SW
- DW SW
- MODE SW
- LED0
- LED1
- LED2
- LED3
- LED4
- LED5
- GND

- HANDBRAKE
- BRAKES
- DIMM
- IGN

- 12V POWER
- DCCD+
- DCCD-
- GROUND

AVR ISP



